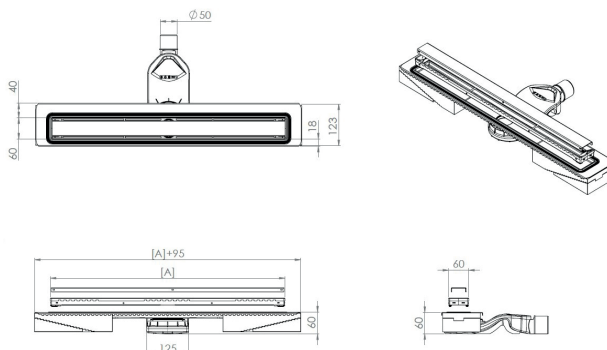


SHOWER CHANNEL SLIM PLUS WITH EPS-BLOCK AND INTEGRATED SEAL

TECHNICAL SPECIFICATIONS

Construction heights:	Freely variable from 60 – 80 mm by height-adjustable EPS block
Visual dimensions:	500, 600, 700, 800, 900, 1000, 1200 mm
Installation dimensions:	590, 690, 790, 890, 990, 1090, 1290 mm
Material:	High quality, stainless steel, alloy 304
Standard:	Tested according to DIN EN 1253-1

All information is approximate. Since we can not assume liability for special applications, a corresponding suitability test must always be carried out by the customer.



SHOWER CHANNEL SLIM PLUS WITH EPS BLOCK

Visual dimensions: (mm)	Construction heights: (mm)	Reference
500	590	ALISP EPS 50
600	690	ALISP EPS 60
700	790	ALISP EPS 70
800	890	ALISP EPS 80
900	990	ALISP EPS 90
1000	1090	ALISP EPS 100
1200	1290	ALISP EPS 120

STAINLESS STEEL V2A



DESIGNER COVER GRIDS

Matching designer cover grids for shower channels slim plus made of stainless steel V2A in 500, 600, 700, 800, 900, 1000, 1200. (visual size)

Description	Length	Reference
ALISP Bubble	50 - 120	ALISP Bubble 50 - 120
ALISP CovFM	50 - 120	ALISP CovFM 50 - 120
ALISP FM	50 - 120	ALISP FM 50 - 120
ALISP Greka	50 - 120	ALISP Greka 50 - 120
ALISP NOVA	50 - 120	ALISP NOVA 50 - 120
ALISP Square	50 - 120	ALISP Square 50 - 120

MATCHING DRAIN

Matching drains made of plastic with standard grid suitable for shower channels slim plus with EPS block

Description	Drainage capacity	Reference
Vertical drain	0,8 l/s	ALISP AS
Horizontal drain 60	0,7 l/s	ALISP AW 60
Horizontal drain 80	1,0 l/s	ALISP AW 80

SPECIFICATIONS

alferline slim plus is a shower channel system for very low installation heights. With a total installation height of only 60 mm, it is perfectly integrated in the floor, in both new and renovated buildings.

The EPS hard foam block allows a simple positioning on the screed and no additional lining is required. With the two-piece substructure the installation height can freely vary from 60 mm to 80 mm.

A drain with odour trap is already integrated. The shower channel has a second drainage level. Depending on the installation height, the draining capacity is up to 1 l/s. The shower channel is suitable for a tile thicknesses of 8 mm to 18 mm. Thanks to the factory fitted sealing sleeve, an optimal connection is guaranteed with the waterproof seal composite. In addition, we recommend the alferground range.

The shower channels and covers are made of high quality stainless steel. Tile trough and siphon are very easy to clean.

SHOWER CHANNEL SLIM PLUS WITH EPS-BLOCK AND INTEGRATED SEAL

AREAS OF APPLICATION

Suitable for indoor installation.

PACKING UNIT

PU 1 =1 pc

PROCESSING, CARE, CLEANING

The shower channels and cover grids are cleaned using household cleaning agents. Please do not use abrasive products. Rinse with clean water. Stubborn dirt can also be removed with solvents.

MATERIAL PROPERTIES

Stainless steel shower channels and accessories are suitable for medium to high mechanical loads in indoor and outdoor areas and have a high resistance to chemicals. They are often used in the food industry, in hospitals and swimming pools, etc..

STORAGE AND TRANSPORT

The profiles must be protected against external and environmental threats.

DISPOSAL

The shower channels and cover grids can be delivered to authorized steel recycling centers. The drains and other plastic accessories can be recycled in the residual waste bins.

SPECIAL NOTE

Warranty and disclaimer

The application examples and tips shown in this data sheet and on our website are guidelines based on conventional crafting techniques. All information, including product-related information is standard. The author excludes any warranty for the information given in the data sheet and on the website. For the usability of products for specific purposes and for the occurrence of damage or the occurrence of defects by the information or tips given here, no warranty is also accepted. Errors, misprints and technical changes - as far as they serve the progress - reserved. Photos and illustrations are not binding. No liability for printing and image defects. Imitation and reprinting, even in part, is not permitted.

As of: 09/2019