

alferpro[®]

alfertool PEDESTAL SUPPORT





alfertool

ADJUSTABLE PEDESTAL SUPPORT SYSTEM FOR CERAMIC PLATES

The **alfertool** adjustable pedestal support system is available in 2 versions and allows the installation of outdoor floating floors of heights from only 18 to 560 mm.

- The pedestal support Mikro allows the regulation of heights from 18 to 36 mm
- The pedestal support Makro allows the regulation of heights from 35 to 60 mm

The advantage of our support system is the simplicity and flexibility of its use. With the pedestal support and the extensions you can reach every height you need to design your terrace, rooftop terrace or individual outdoor areas in your garden.

Both pedestal supports consist of three pre-assembled elements:

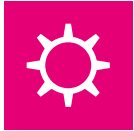
- A **base** with a stand space of 314 mm² and gaps for perfect stability and an ideal drainage incl. pre-assembly for wall endings and edgings
- A rotatable **nut** for stepless height adjustment and fine adjustments
- A fix **head** with a supporting surface of 120 mm incl. joint bridges of 2 or 4 mm that are stable, but also easy to remove

Available accessories:

- Extensions of 9 mm for the pedestal support Mikro and 25, 50 and 100 mm for the pedestal support Makro
- Universal clips for wall connections and vertical edgings
- Noise reduction mats as well as anti-slip noise reduction and slope discs







ADJUSTABLE PEDESTAL SUPPORT

alfertool - Height-adjustable pedestal support system from **18 to 36 mm** and **35 to 60 mm**. To be used predominantly in outdoor areas such as terraces. The base ensures a correct water drainage. Six to eight pedestal supports are sufficient for 1 m² floor laying.

Support surface: 314 cm²
Head diameter: 120 mm with a supporting surface of 113 cm²
Material: PP (Polypropylene)

AVAILABLE VERSIONS

PEDESTAL SUPPORT MIKRO (18-36 mm):

- Consisting of a base, a rotatable nut and a head with **4 joint bridges**, each **2 mm broad** incl. a 9 mm extension
- Consisting of a base, a rotatable nut and a head with **4 joint bridges**, each **4 mm broad** incl. a 9 mm extension.

AVAILABLE VERSIONS

PEDESTAL SUPPORT MAKRO (35-60 mm):

- Consisting of a base, a rotatable nut and a head with **4 joint bridges**, each **2 mm broad**
- Consisting of a base, a rotatable nut and a head with **4 joint bridges**, each **4 mm broad**



PEDESTAL SUPPORT MIKRO

PU 1 = 1 pc., PU = 30 pcs.

Reference	Description	Height h (mm)
AT ST MI 42	Joint bridges 2 mm, height 10 mm	18 – 36
AT ST MI 44	Joint bridges 4 mm, height 10 mm	18 – 36



PEDESTAL SUPPORT MAKRO

PU 1 = 1 pc., PU = 30 pcs.

Reference	Description	Height h (mm)
AT ST MA 42	Joint bridges 2 mm, height 10 mm	35 – 60
AT ST MA 44	Joint bridges 4 mm, height 10 mm	35 – 60



EXTENSIONS

To adjust the height of the support system individually, you can get extensions in height of 9, 25, 50 and 100 mm. You simply plug the extensions into the base or into each other and turn them until they are fixed. This way you can increase the height up to 560 mm.

Material: PP (Polypropylene)

EXTENSIONS

PU 1 = 1 pc., PU = 30 pcs.

Reference	Description	Height h (mm)
AT ST MI E9	Only for pedestal support Mikro	9
AT ST MA E25	Only for pedestal support Makro	25
AT ST MA E50	Only for pedestal support Makro	50
AT ST MA E100	Only for pedestal support Makro	100





HOW TO USE THE ADJUSTABLE SUPPORT SYSTEM

STEP 1

- Choose from the two adjustable supports the one that fits for your purposes, 18 to 36 mm or 35 to 60 mm



Pedestal support Mikro
18 to - 36mm



Pedestal support Makro
35 to - 60mm

STEP 2

- Select the appropriate extensions to match the desired height



Extension 9
Only for pedestal support Mikro



Extension 25
Only for pedestal support Makro



Extension 50
Only for pedestal support Makro



Extension 100
Only for pedestal support Makro

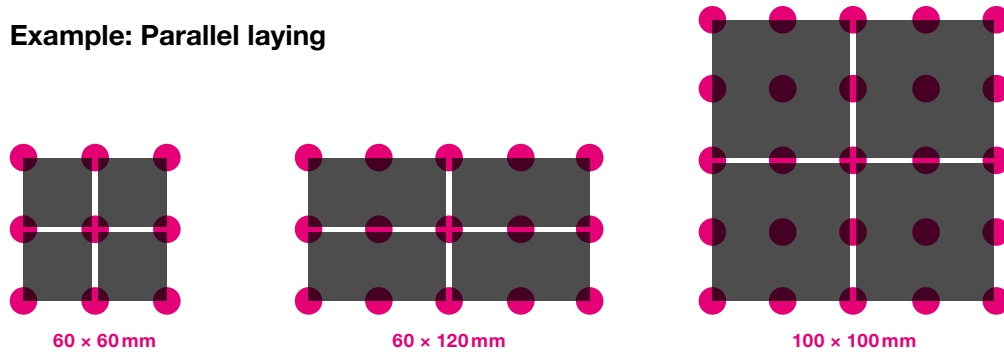
POSSIBLE HEIGHTS AND COMBINATIONS:



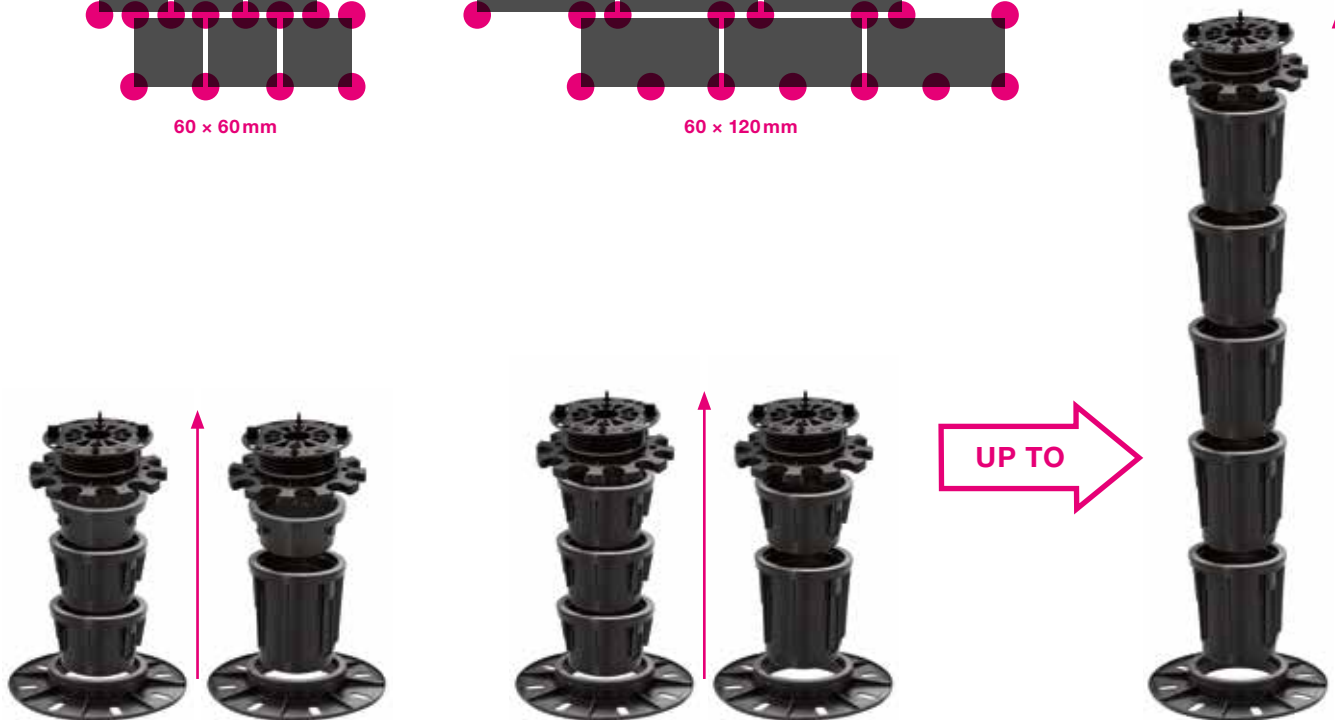
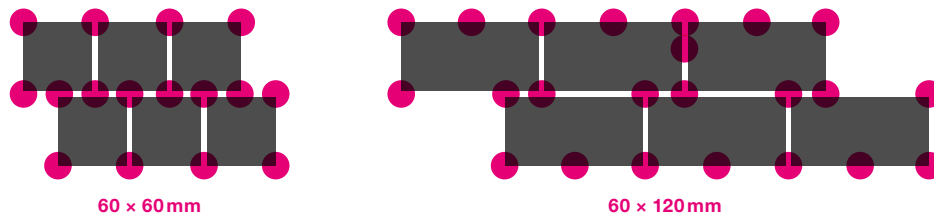
STEP 3

- Beforehand, define the laying patterns and place the support systems accordingly. Check the height with a spirit level and balance out the inaccuracies with the rotatable nut. If you use large-size flooring, you need additional support systems to guarantee the stability. For further information, contact your tile or plate manufacturer.

Example: Parallel laying



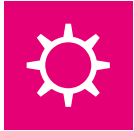
Example: Half-offset or row laying



from 160 185mm
1 pc., height 50 and 1 pc., height 25
and 1 pc., height 100

from 185 210mm
3 pc., height 50
1 pc., height 50
and 1 pc., height 100

from 535 560mm
5 pcs., 100



alfertool

UNIVERSAL CLIP FOR WALL CONNECTIONS

Universal clip for the circulating laying of tiles and panels for floating floors. The clip is mounted on the head of the pedestal support and prevents the contact between flooring and wall thanks to its special shape. Therefore, every possible movement and expansion can be recorded.

Especially for use with all **alferpro**® pedestal support systems.

Material: Stainless steel



UNIVERSAL CLIP FOR WALL CONNECTIONS

PU 1 = 1 pc., PU = 30 pcs.

Reference

AT ST CW



CLIP FOR EDGE FINISHES

Clip-set for the veneering of exposed edge surfaces and covering of unattractive cutting edges. The base clip is mounted under the base, the head clip is mounted on the head of the pedestal support, whereby the riser can be safely fixed. With these clips you can design appealing and modern endings and steps when laying floating floorings without a wall connection.

Especially for use with the **alferpro**® pedestal support Makro.

Material: Stainless steel



CLIP FOR EDGE FINISHES

PU 1 = 1 pc., PU = 30 pcs.

Reference	Description	Width b (mm)
AT ST CB10	Base clip 10	10
AT ST CK10	Head clip 10	10
AT ST CB20	Base clip 20	20
AT ST CK20	Head clip 20	20



Head and base clip for edge finishes
for floorings with a width of 10mm



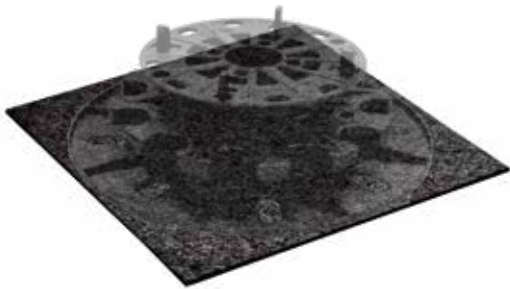
Head and base clip for edge finishes
for floorings with a width of 20mm



NOISE REDUCTION MAT

Sound-absorbing anti-slip rubber mat for **alferpro**® pedestal support systems. It is positioned under the base of the pedestal support to reduce footstep sounds up to 12 dB.

Dimensions: 200 × 200 mm
Height: 3 mm
Material: Rubber (TPV)



NOISE REDUCTION MAT

PU 1 = 1 pc., PU = 30 pcs.

Reference	Height h (mm)
AT ST 200	3

ANTI-SLIP NOISE REDUCTION DISC

Sound-absorbing anti-slip rubber disc. It is mounted on the head of the pedestal support.

Diameter: 120 mm
Height: 2 mm
Material: Rubber



ANTI-SLIP NOISE REDUCTION DISC

PU 1 = 1 pc., PU = 30 pcs.

Reference	Height h (mm)
AT ST L	2



SLOPE DISCS

The levelling discs allows the compensation of slopes from 1 to 5 %. Just lay the levelling disc onto the head of the support system and turn it to the required direction get it into the right position. The levelling discs guarantee a flat surface and reduce footstep sounds. You can also combine the levelling discs to adjust, for example, a slope of 6 %:

Disc 1 % + disc 5 % or 2 x disc 3 %

Diameter: 120 mm
 Sizes: 3 different versions for slopes of 1, 3 and 5 %
 Material: Thermoplastic rubber



SLOPE DISCS

PU 1 = 1 pc., PU = 30 pcs.

Reference		Height h (mm)
AT ST G1	Slope: 1 %	1
AT ST G3	Slope: 3 %	3
AT ST G5	Slope: 5 %	5



How to use the slope discs:



0 % slope compensation



Attach the slope disc



1 – 5 % slope compensation

alferpro®

Industriestrasse 7 · 79793 Wutoeschingen · Germany
Tel. +49 7746 92 01 500 · Fax +49 7746 92 01 85 00
f @ alferpro · info.eng@alferpro.com · www.alferpro.com

EAN 4 058012 972521

