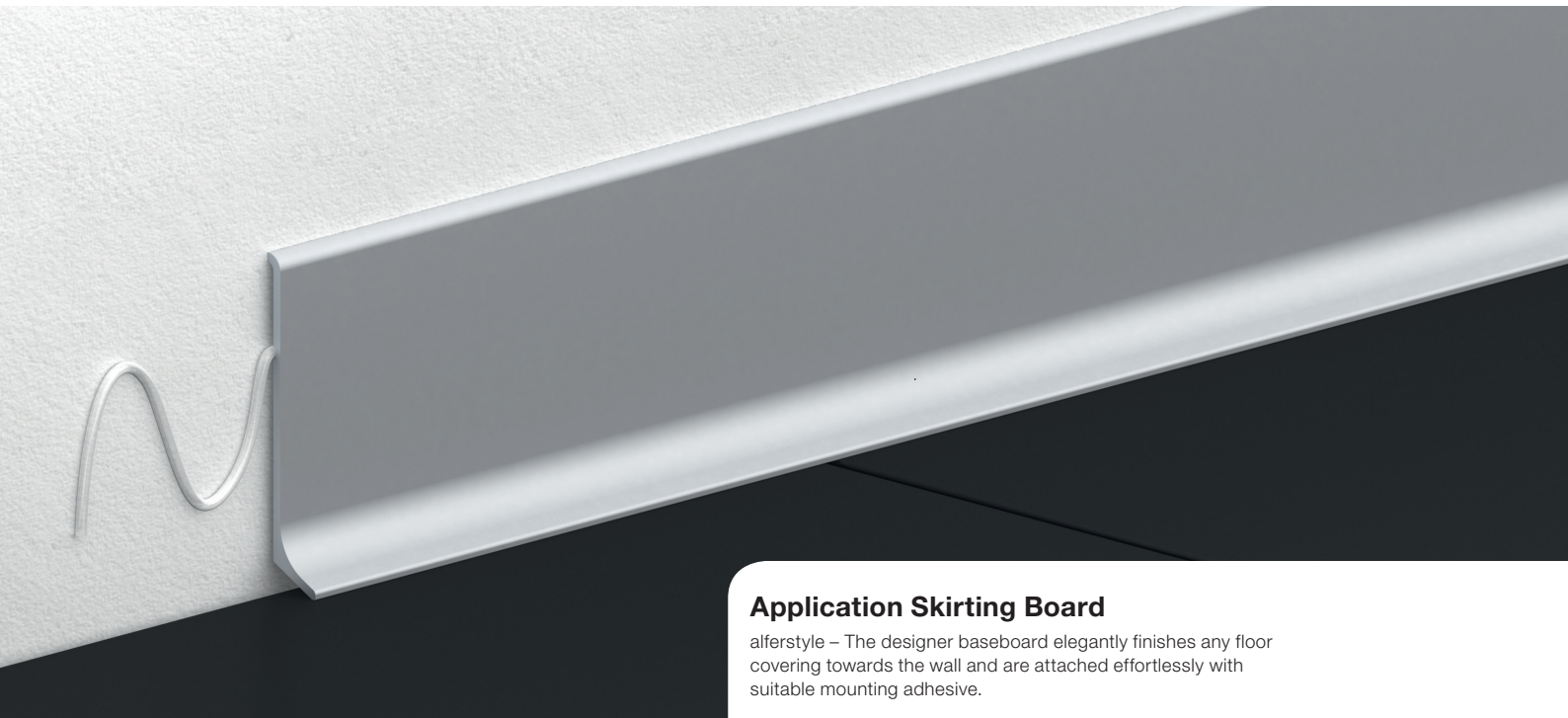


# alferstyle

SKIRTING BOARD  
MADE OF ALUMINIUM

alferpro®



## Application Skirting Board

alferstyle – The designer baseboard elegantly finishes any floor covering towards the wall and are attached effortlessly with suitable mounting adhesive.

## PROVE YOUR STYLE WITH DECORATIVE PROFILES FROM THE ALFERSTYLE SERIES.

Choose the matching decor for any environment from a wide range of different materials, surfaces and colours. Clear shapes accentuate the high-quality materials. Give spaces your personal character from modern simplicity to timeless classics.

## TECHNICAL SPECIFICATIONS

AlMgSi0,5  
Material number: 33.206

All measures, weights and loads as indicated in this data sheet are approximate figures. We can not assume liability for any special applications as well as damage resulting from improper assembly or use, a corresponding suitability test must always be carried out by the customer.

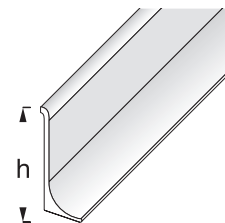
## PROCESSING

TEXT FEHLT

ANODISED

ALUMINIUM

POWDER-COATED

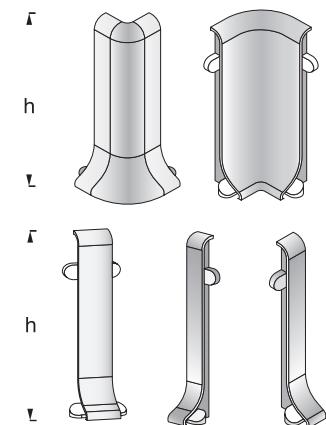


## ACCESSORIES

ANODISED

ALUMINIUM

POWDER-COATED



# alferstyle

## SKIRTING BOARD MADE OF ALUMINIUM

---

# alferpro®

### DELIVERY FORM

The profiles are available in heights:  
40; 60; 80; 100mm  
depending on the surface (see catalog).

The profiles are available in lengths:  
250 cm  
depending on the surface (see catalog).

The accessories are available in heights:  
40; 60; 80; 100mm  
depending on the surface (see catalog).

### PROCESSING, CARE, CLEANING

The following points must be observed in order to prevent damage on the profiles surfaces:

- The processing instructions of the tile adhesive must always be observed.
- Any excess of grout, mortar and tile adhesive on the profile surface should be removed immediately with water.
- Allow to dry out thoroughly, ensuring the area is well ventilated.
- The protective film or similar, used for the installation, can only be removed after the paving has dried completely.
- The profiles are cleaned with a damp cloth and pH-neutral agents. Stubborn dirt on the profiles can also be removed with solvents.

### STORAGE AND TRANSPORT

The profiles and accessories must be protected against external and environmental threats.

### SPECIAL NOTE

#### Warranty and disclaimer

The application examples and tips shown in this data sheet and on our website are guidelines based on conventional crafting techniques. All information, including product-related information is standard. The author excludes any warranty for the information given in the data sheet and on the website. For the usability of products for specific purposes and for the occurrence of damage or the occurrence of defects by the information or tips given here, no warranty is also accepted. Errors, misprints and technical changes - as far as they serve the progress - reserved. Photos and illustrations are not binding. No liability for printing and image defects. Imitation and reprinting, even in part, is not permitted.

As of: 05/2020

### SURFACES

Anodised, powdercoated

### PACKING UNIT

Profiles  
PU 1 = 10 pcs, PU 2 = 50 pcs, PU 3 = 150 pcs

Accessories  
Blister = 2 pcs

### MATERIAL PROPERTIES

Aluminium skirting boards and accessories are suitable on both indoor and outdoor areas and can bear low to medium mechanical solicitations. The material has good corrosion resistance and a high tolerance and endurance to chemicals.

### DISPOSAL

The profiles and accessories can be delivered to authorized aluminium recycling centers.

**alferpro®**

Industriestrasse 7 · 79793 Wutoeschingen · Germany  
Tel +49 7746 92 01 500 · Fax +49 7746 92 01 85 00  
info.eng@alferpro.com · [www.alferpro.com](http://www.alferpro.com)

alferstyle\_ASS\_A\_eng\_0520